

 **GEBERIT**

In perfect harmony

Geberit flush buttons

 **GEBERIT**



Perfection. In every detail.

With a Geberit concealed cistern only the flush actuator plate is visible – dual flushing available in either 6/3L or 4.5/3L. The focus here is on reliable functionality, but Geberit also considers design to be of utmost importance. A wide range of design solutions offer different finishes and shapes, providing the aesthetic freedom to create the bathroom you desire.



Completely flush.

Geberit Sigma60

Installed flush with the wall.



Smooth perfection

Geberit Sigma60 can be installed completely flush with the wall. The ultimate streamlined design combines a timeless elegance with technical superiority. The Sigma60 flush plate is compatible with Geberit Sigma concealed cistern 75mm, and respective Duofix version for wall-hung WC (UP320).

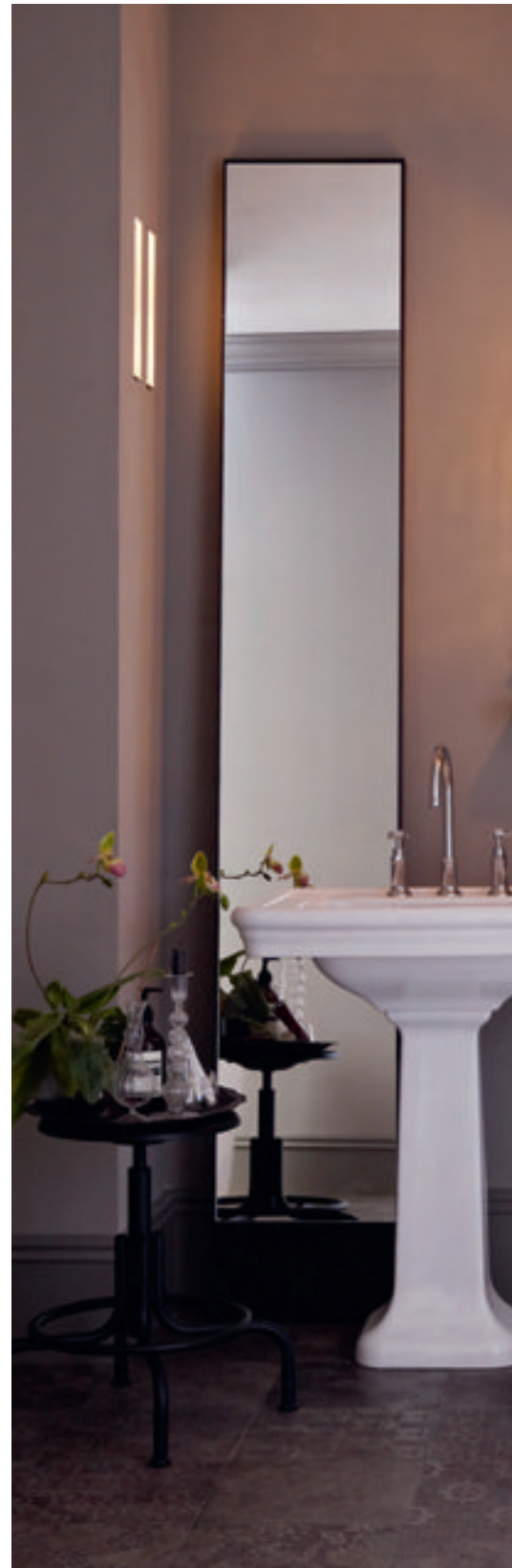


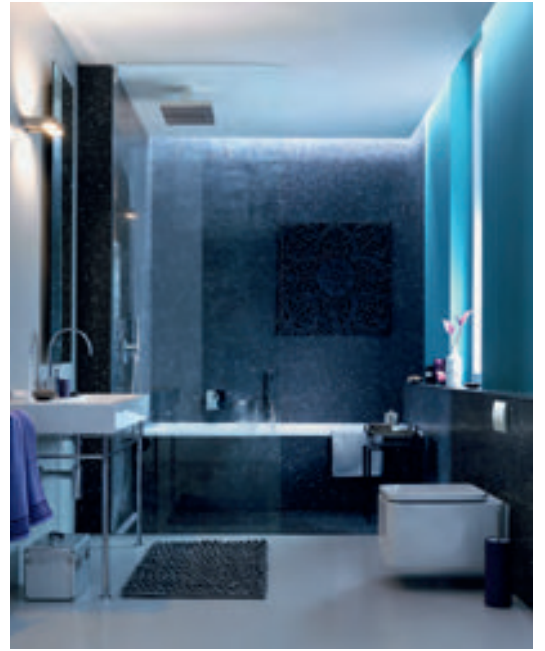
Fit for flexibility.

A few systems.
And endless possibilities.



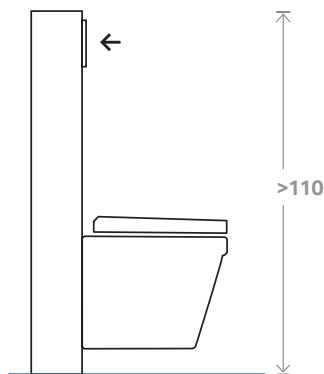
With Geberit there are almost no limitations when deciding about your preferred bathroom layout. Whether it is new construction or retrofit you can install your cistern under counter, in-vanity, pre-wall, inwall or in-duct. The cistern will be installed where you want them to be. Built-in modules create elegance and space. Easy to service pre-wall systems can be used everywhere, offering additional storage possibilities.





Flush plates.

For Geberit Sigma concealed cisterns



- Geberit Sigma concealed cisterns require a construction height of at least 1120 mm
- Wall cavity of min. 75 mm
- Mechanical, front operation
- Geberit inwall cisterns are easy to install, come with a 10 year limited warranty on cistern tank and Duofix frame and 25 year spare parts supply guarantee (exclusions apply).*

Sigma20

- Flush technology: dual flush
- Outer dimensions: 246 mm x 164 mm



→ 115.778.KJ.1
Product material: plastic
white/bright chrome/white



→ 115.778.KL.1
Product material: plastic
white/satin chrome/satin chrome



→ 115.778.KM.1
Product material: plastic
black/bright chrome/black



→ 115.778.KH.1
Product material: plastic
bright/satin/bright chrome



→ 115.778.KN.1
Product material: plastic
satin/bright/satin chrome



→ 115.778.SN.1
Product material: stainless steel
stainless steel brushed/pol./br.

Sigma50

- Flush technology: dual flush
- Outer dimensions: 246 mm x 164 mm



→ 115.788.11.5
Brushed metal button
white finish



→ 115.788.EP.5
Brushed metal button
pergamon finish



→ 115.788.SE.5
Brushed metal button
green glass finish



→ 115.788.DW.5
Brushed metal button
black finish



→ 115.788.SD.5
Brushed metal button
mirror glass finish



→ 115.788.SC
Brushed metal button
white glass finish w. ornamental pattern



→ 115.788.SQ.5
Brushed metal button
brown glass finish

* For detailed information on our manufacturer's warranty refer to our website
→ www.geberit.com.au or contact Geberit on 02 9889 7866.

Sigma60

- Installed flush with the wall
- Flush technology: dual flush
- Outer dimensions: 221 mm x 139 mm



Only for Geberit Sigma concealed cisterns
75mm
→ 115.794.GH.1
Product material:
die-cast zinc
brushed chrome

NOTE: Sigma60 requires minimum 18mm wall lining.

Bolero

- Flush technology: dual flush
- Outer dimension: 246 mm x 164 mm



→ 115.777.11.1
Product material: plastic
white



→ 115.777.21.1
Product material: plastic
bright chrome

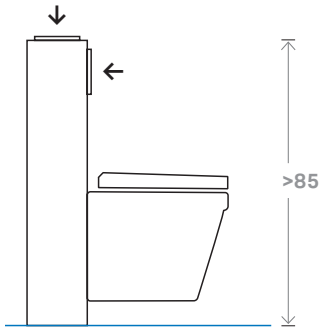


→ 115.777.46.1
Product material: plastic
satin chrome



Flush plates.

For Geberit Kappa concealed cisterns (UP120).



- Geberit Kappa concealed cisterns (UP120) require a construction height of at least 820 mm
- Wall cavity of min. 180 mm
- Mechanical front/top or pneumatic remote operation
- Guaranteed availability of spare parts for 25 years

Kappa20

- Flush technology: dual flush
- Outer dimensions: 213 mm x 142 mm



- 115.228.11.1
- Product material: plastic
- white**



- 115.228.46.1
- Product material: plastic
- satin chrome**



- 115.228.21.1
- Product material: plastic
- bright chrome**



- 115.228.KB.1
- Product material: plastic
- bright chrome/bright chr. struct.**



- 115.228.DW.1
- Product material: plastic
- black RAL 9005**



- 115.228.GM.1
- Product material: plastic
- satin**

Kappa21

- Flush technology: dual flush
- Outer dimensions: 212 mm x 142 mm



- 115.240.KJ.1
- Product material: plastic
- white/bright chrome/white**



- 115.240.KL.1
- Product material: plastic
- white/satin chrome/satin chrome**



- 115.240.KM.1
- Product material: plastic
- black/bright chrome/black**



- 115.240.KH.1
- Product material: plastic
- bright/satin/bright chrome**



- 115.240.KN.1
- Product material: plastic
- satin/bright/satin chrome**

Kappa50

- Flushtechnology: dual flush
- Outerdimensions: 211 mm x 142 mm



- 115.260.11.1
- Product material: die-cast zinc
white



- 115.260.21.1
- Product material: die-cast zinc
bright chrome



- 115.260.46.1
- Product material: die-cast zinc
satin chrome



- 115.258.00.1
- Product material: stainless steel
stainless steel brushed

Kappa Pneumatic

- Flushtechnology: dual flush
- Outerdimensions: 205 mm x 140 mm

Note: Suits only Sigma Pneumatic cisterns
109.752.00.1 and 109.753.00.1

- 117.022.00.1
- Product material: stainless steel
stainless steel, brushed

- 117.022.21.1
- Product material: metal
bright chrome

- 117.022.KA.1
- Product material: metal
bright chrome/satin chrome

NEW Sigma Pneumatic

- Flushtechnology: dual flush
- Outerdimensions: 129 mm x 74 mm

Note: Suits only Sigma Pneumatic cisterns
109.754.00.1 and 109.755.00.1



- 115.932.KS.1
- Product material: metal
bright/satin chrome



- 115.932.KV.1
- Product material: plastic
black/satin chrome



- 115.932.KT.1
- Product material: plastic
white/satin chrome



- 115.932.KA.1
- Product material: plastic
bright/satin chrome



Geberit Head Office
Unit 8a, 6-8 Byfield Street
Macquarie Park
NSW 2113

T 1800 GEBERIT
P +61 02 9889 7866
F +61 02 9889 7855
sales.au@geberit.com

→ www.geberit.com.au